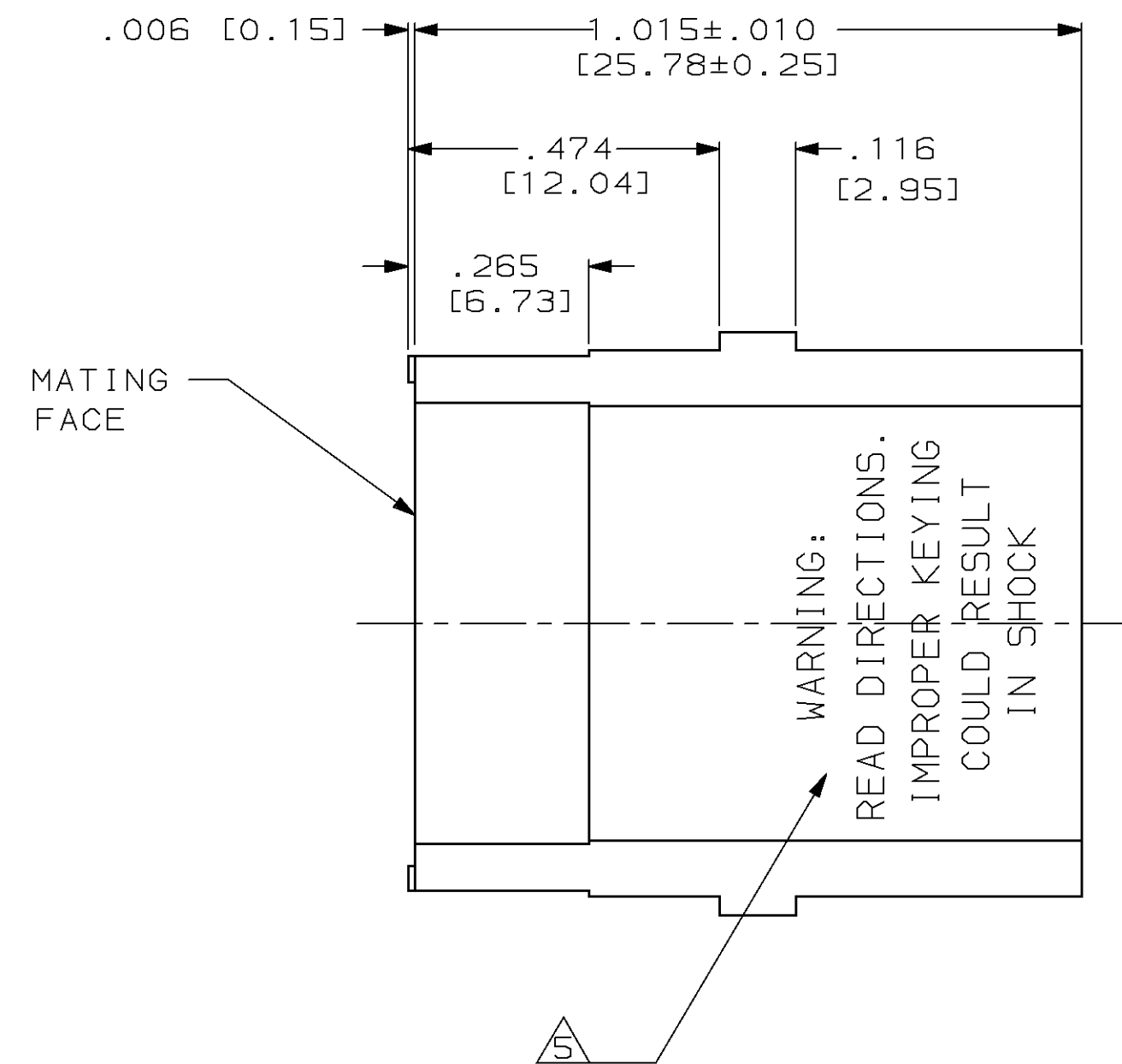
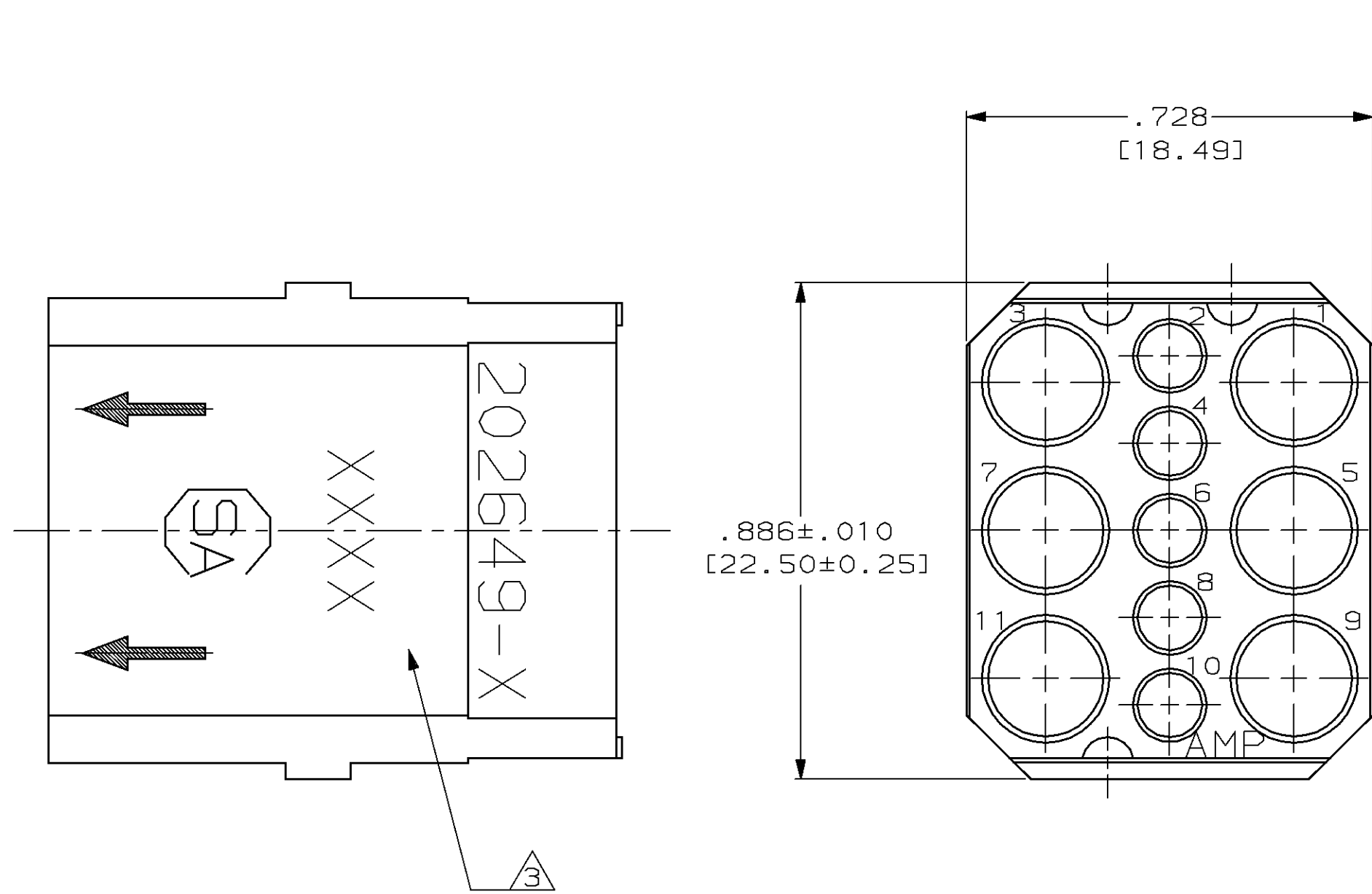


LOC	DIST	P	F	REVISIONS				
				ZONE	LTR	DESCRIPTION	DATE	APPD
DF	BO			E		REV & REDRAWN DF-4297 PY	11-91	DBM
				F		REV PER 0600-4161-95 JB	08-30-95	DBM



- ① MATERIAL: DIALLYL PHTHALATE PER MIL-M-14, TYPE SDG-F, COLOR: BLUE
- ② MATERIAL: PHENOLIC PER MIL-M-14, TYPE CFG OR MFH, COLOR: BLACK
- ③ AMP PART NO, DATE CODE, CSA CERT AND ARROWS MARKED WITH WHITE INK OR BY LASER MARKING AT APPROXIMATE AREA SHOWN, EITHER SIDE
- 4. THIS MODULE WILL ACCOMMODATE:
  - (6) MINIATURE COAXICON OR TYPE I SIZE 12 SOCKET CONTACTS AND
  - (5) SUBMINIATURE COAXICON, TYPE II SIZE 16, TYPE III(+) SIZE 16 OR TYPE VI SIZE 16 SOCKET CONTACTS
- ⑤ WARNING STATEMENT MARKED WITH WHITE INK AT APPROXIMATE AREA SHOWN, ON SIDE OPPOSITE PART NUMBER.

②	202649-4
①	202649-2
MATERIAL	PART NUMBER

DO NOT SCALE PRINT. UNLESS SPECIFIED DIMENSIONS IN INCHES [mm] TOLERANCES ON : 2 PLC DEC ± - 3 PLC DEC ± .005 ANGLES ± -		DR 9-13-91 P. YEAGER		PART NO	
MATERIAL SEE TABLE		CHK 11-12-91 D.B. MUMMEY		AMP Incorporated Harrisburg, PA 17105-3608	
FINISH -		APPD 11-12-91 D.B. MUMMEY			
-		APPD -		NAME	
-		PRODUCT SPEC -		FEMALE BLOCK G SERIES, 11 POSN	
-		APPLICATION SPEC -		SIZE	CAGE CODE
-		WEIGHT -		③	00779
				DRAWING NO	202649
				SCALE	4:1
				SHEET	1 OF 1