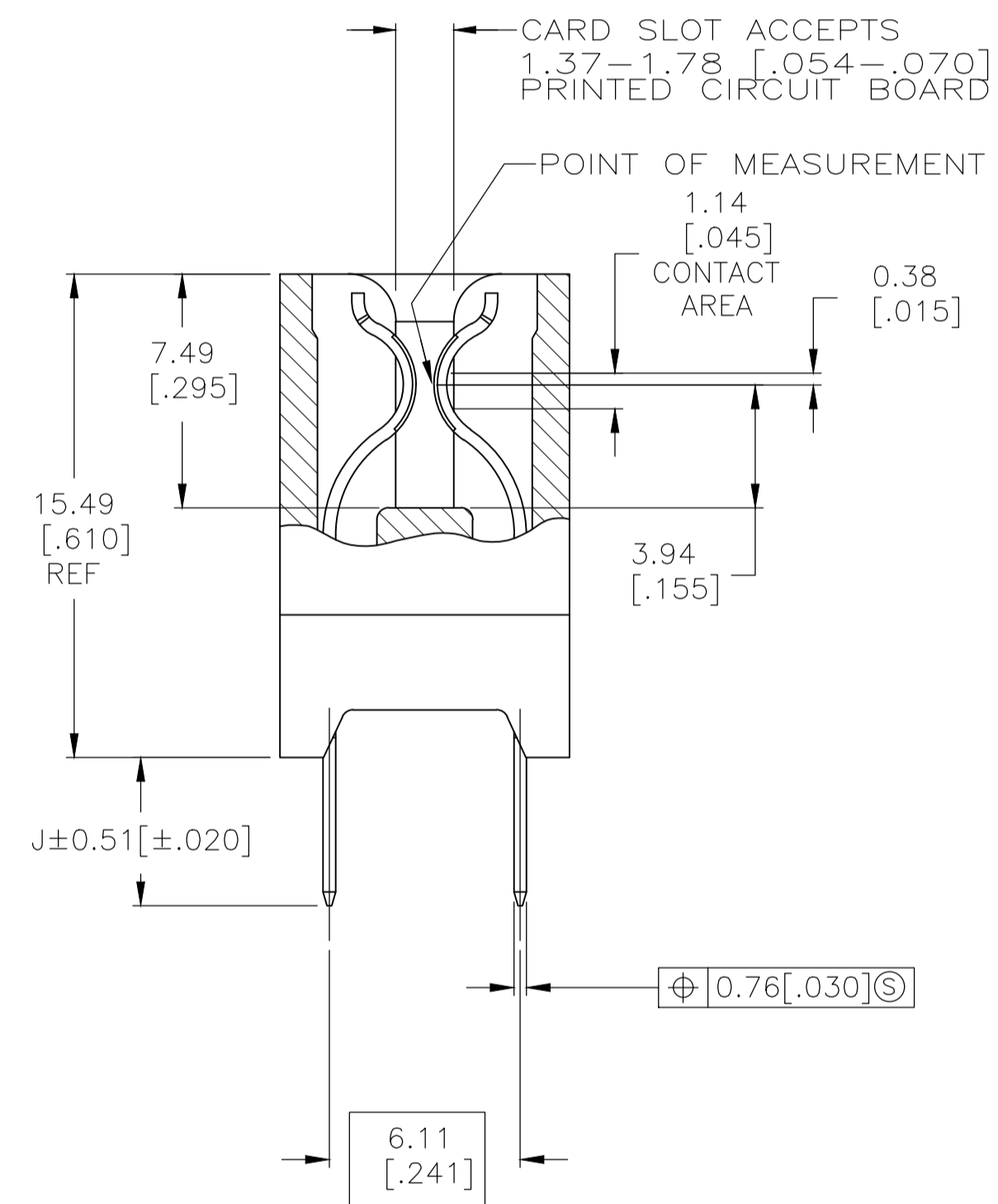
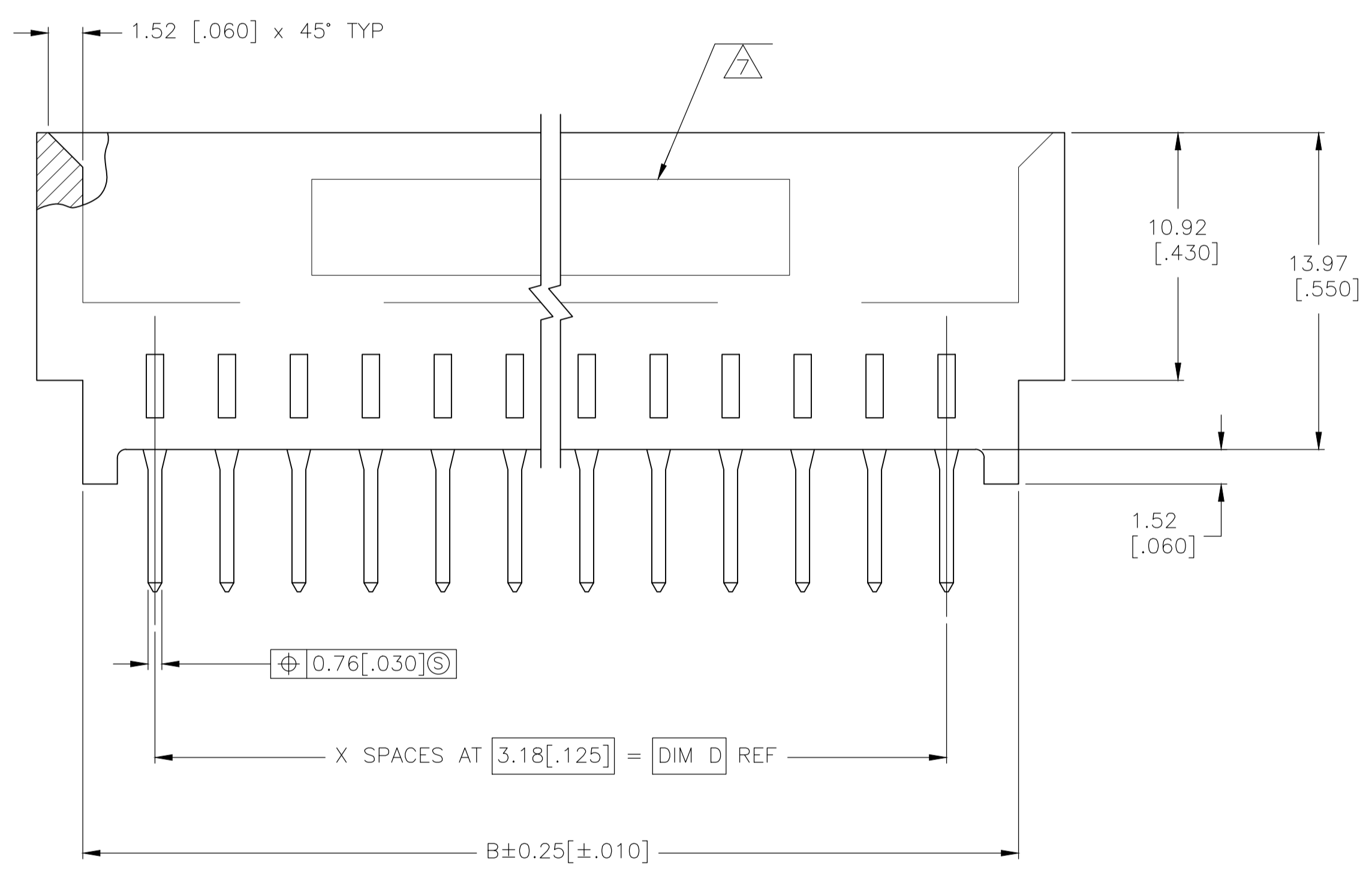
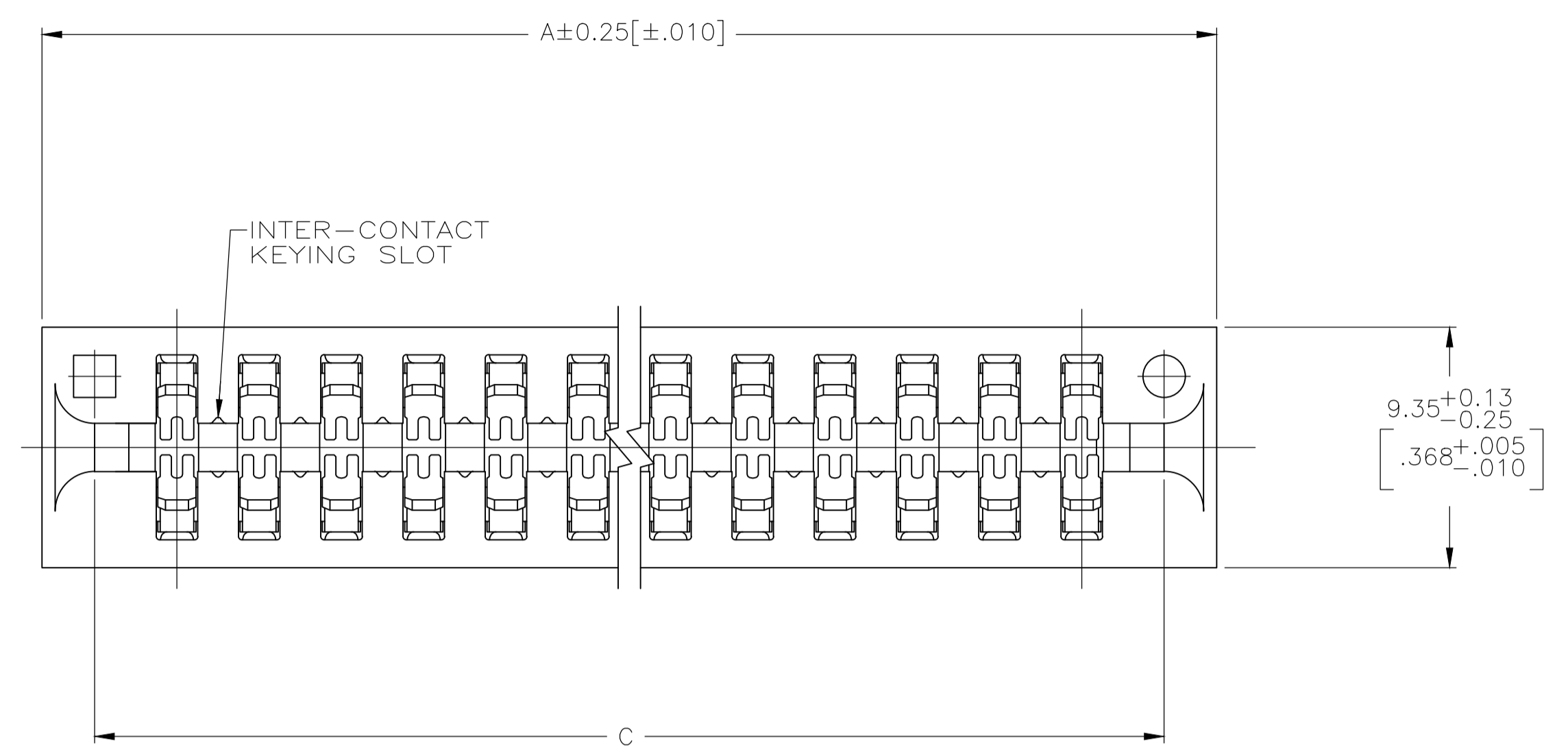


REVISIONS				
P	LTR	DESCRIPTION	DATE	BY
B		REVISED PER ECO-17-014232	23JAN2017	SY HL



- ① HOUSING: GLASS FILLED POLYESTER; COLOR: BLACK.
- ② CONTACT: PHOSPHOR BRONZE.
- ③ CONTACT: 0.00127 [.000050] MIN NICKEL ALL OVER.
- ④ CONTACT: 0.00254 [.000100] MIN MATTE TIN ON SOLDER POSTS.
- ⑤ CONTACT: 0.00076 [.000030] MIN GOLD IN CONTACT AREA.
- ⑥ CONTACT: NICKEL PLATE PER MIL-G-45204. GOLD PLATE PER QQ-N-290.
- ⑦ AMP PART NUMBER AND DATE CODE ARE MARKED IN APPROXIMATE AREA SHOWN, EITHER SIDE.
- 8. RECOMMENDED PCB FINISHED HOLE DIA: 1.02±0.08 [.040±.003].
- ⑧ OBSOLETE PARTS: OBSOLETE CIS STREAMLINING PER D.RENAUD/D.SINISI

⑨	OBSOLETE	4.75 [.187]	41.28 [1.625]	47.62 [1.875]	47.62 [1.875]	51.69 [2.035]	13	14	-5-5530844-8-
	OBSOLETE	4.75 [.187]	155.98 [6.125]	161.92 [6.375]	161.92 [6.375]	165.99 [6.535]	49	50	2-5530844-2-
		4.75 [.187]	123.82 [4.875]	130.18 [5.125]	130.18 [5.125]	134.24 [5.285]	39	40	2-5530844-0
⑨	OBSOLETE	4.75 [.187]	111.12 [4.375]	117.48 [4.625]	117.48 [4.625]	121.54 [4.785]	35	36	1-5530844-9-
⑨	OBSOLETE	4.75 [.187]	92.08 [3.625]	98.42 [3.875]	98.42 [3.875]	102.49 [4.035]	29	30	1-5530844-8-
	OBSOLETE	4.75 [.187]	85.72 [3.375]	92.08 [3.625]	92.08 [3.625]	96.14 [3.785]	27	28	1-5530844-7-
		4.75 [.187]	66.68 [2.625]	73.02 [2.875]	73.02 [2.875]	77.09 [3.035]	21	22	1-5530844-6-
	OBSOLETE	4.75 [.187]	53.98 [2.125]	60.32 [2.375]	60.32 [2.375]	64.39 [2.535]	17	18	1-5530844-5-
		3.18 [.125]	155.58 [6.125]	161.92 [6.375]	161.92 [6.375]	165.99 [6.535]	49	50	1-5530844-1
⑨	OBSOLETE	3.18 [.125]	133.35 [5.250]	139.70 [5.500]	139.70 [5.500]	143.76 [5.660]	42	43	1-5530844-0-
		J	D	C	B	A	X	NO OF POSN	PART NUMBER

THIS DRAWING IS A CONTROLLED DOCUMENT.

DIMENSIONS: mm [INCHES]	TOLERANCES UNLESS OTHERWISE SPECIFIED:	DIN R BROWN 02MAR2006	APVD M MILLER 02MAR2006	NAME
0 PLC ± -	1 PLC ± -	2 PLC ± -	3 PLC ± 0.13 [.005]	4 PLC ± -
ANGLES ± -	FINISH	WEIGHT 0.000000	A1 00779	5530844

STE TE Connectivity

CONNECTOR ASSEMBLY, STANDARD EDGE II, 3.18 [.125] CL

SCALE 5:1 SHEET 1 OF 1 REV B