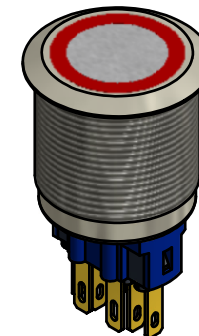
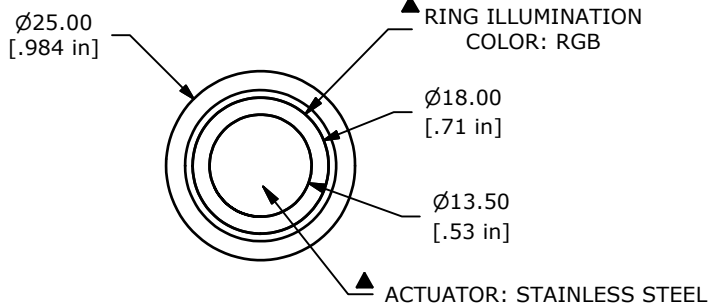
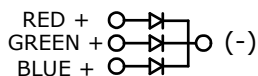
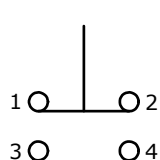


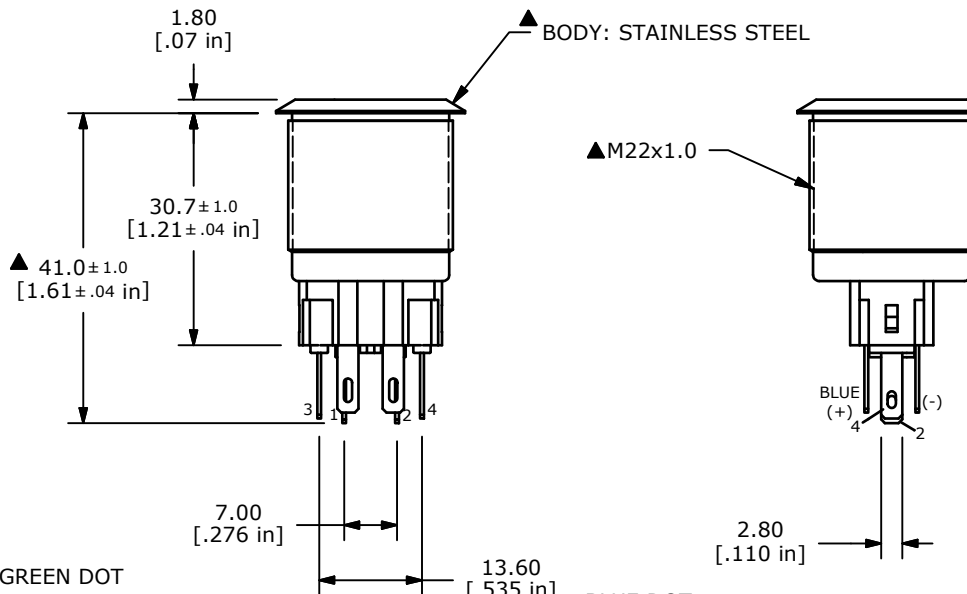
PANEL CUTOUT
MAX. PANEL THICKNESS 12mm



SWITCH FUNCTION	
POS. 1	POS. 2
1-2 ON 3-4 OFF	1-2 OFF 3-4 ON



▲ SPDT ON-OFF / OFF-ON
CONTACT CONFIGURATION



GREEN DOT
INDICATES GREEN
ANODE (+) TERMINAL
FOR LED

RED DOT
INDICATES RED
ANODE (+) TERMINAL
FOR LED

BLUE DOT
INDICATES BLUE
ANODE (+) TERMINAL
FOR LED

BLACK DOT
INDICATES CATHODE
TERMINAL FOR LED

NOTE:

1. ALL DIMENSIONS IN MM [INCH]
2. GENERAL TOLERANCE: X.X = ± 0.4
X.XX = ± 0.25
3. TERMINAL NOS. FOR REF. ONLY
4. RATING: 2A @ 48VDC
5. CONTACT RESISTANCE: 50mΩ MAX. @ 1A 12VDC
6. INSULATION RESISTANCE: 1,000MΩ @ 500VDC
7. DIELECTRIC STRENGTH: 2,000VAC MIN. FOR 1 MINUTE
8. ELECTRICAL LIFE: 50,000 CYCLES
9. OPERATING TEMPERATURE: -20°C TO 55°C
10. ACTUATION FORCE: 4N
11. INGRESS PROTECTION: IP65
12. ▲ DENOTES CRITICAL PARAMETER
13. 2011/65/EU (ROHS) COMPLIANT
- ▲14. HARDWARE INCLUDED (NOT SHOWN) HEX NUT AND O-RING
- ▲15. ILLUMINATION VOLTAGE: 12V



TITLE PV7F2T0SS-3R4

A	22421	New Release	8/3/16	rc
REV	PCR NO	DESCRIPTION	DATE	BY

SCALE	DATE	DR	DWG	REV
1:1	7/22/2016	rc	52-PV7F2T0SS3R4	A

THE INFORMATION CONTAINED IN THIS DOCUMENT IS PROPRIETARY TO E-SWITCH AND IS NOT TO BE COPIED OR TRANSFERRED