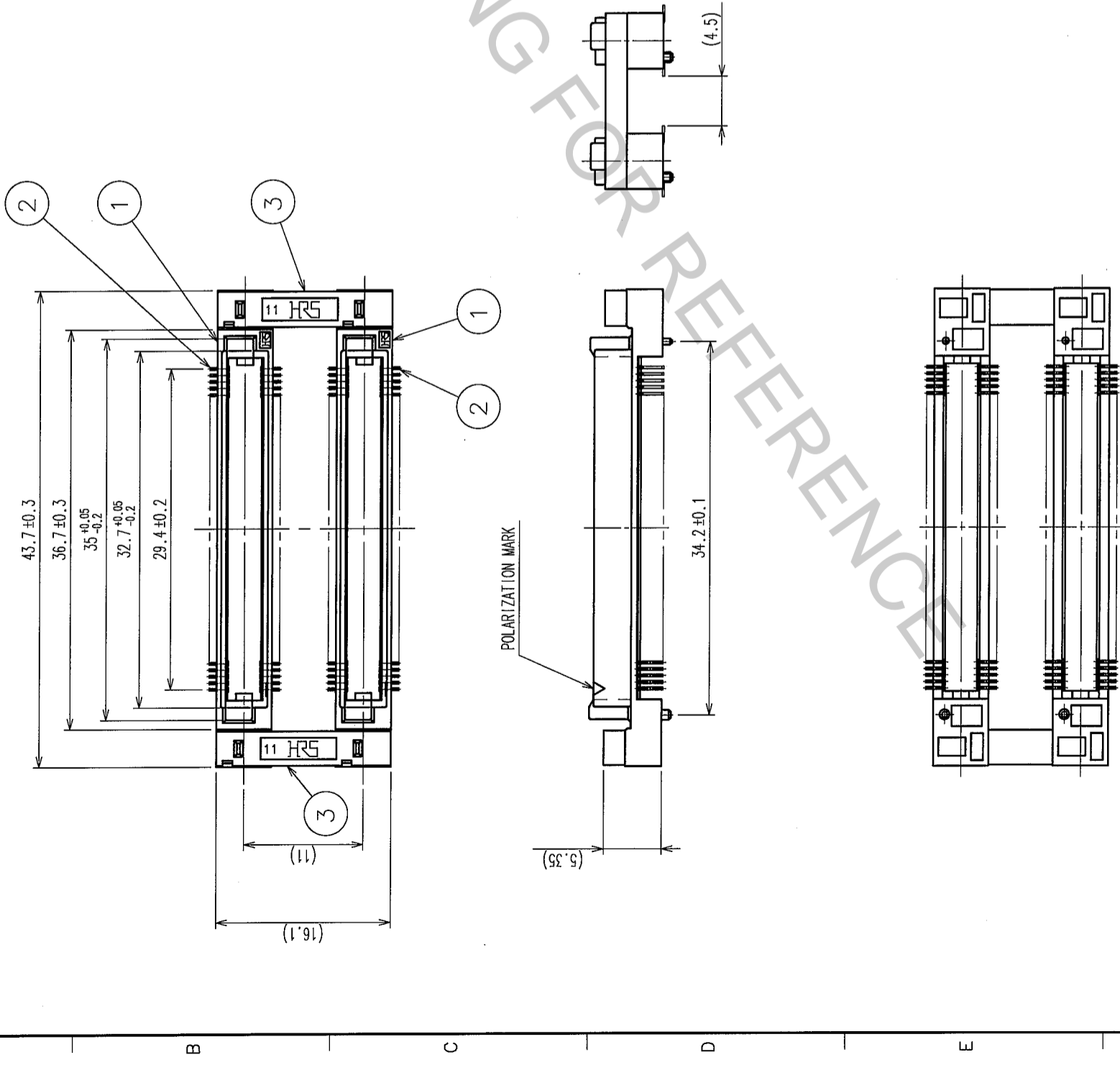


COUNT	DESCRIPTION OF REVISIONS	BY	CHKD	DATE	COUNT	DESCRIPTION OF REVISIONS	BY	CHKD	DATE
△					△				
△					△				
△					△				

RECOMMENDED LAND PATTERN DIMENSION OF PCB (MOUNTING SIDE)



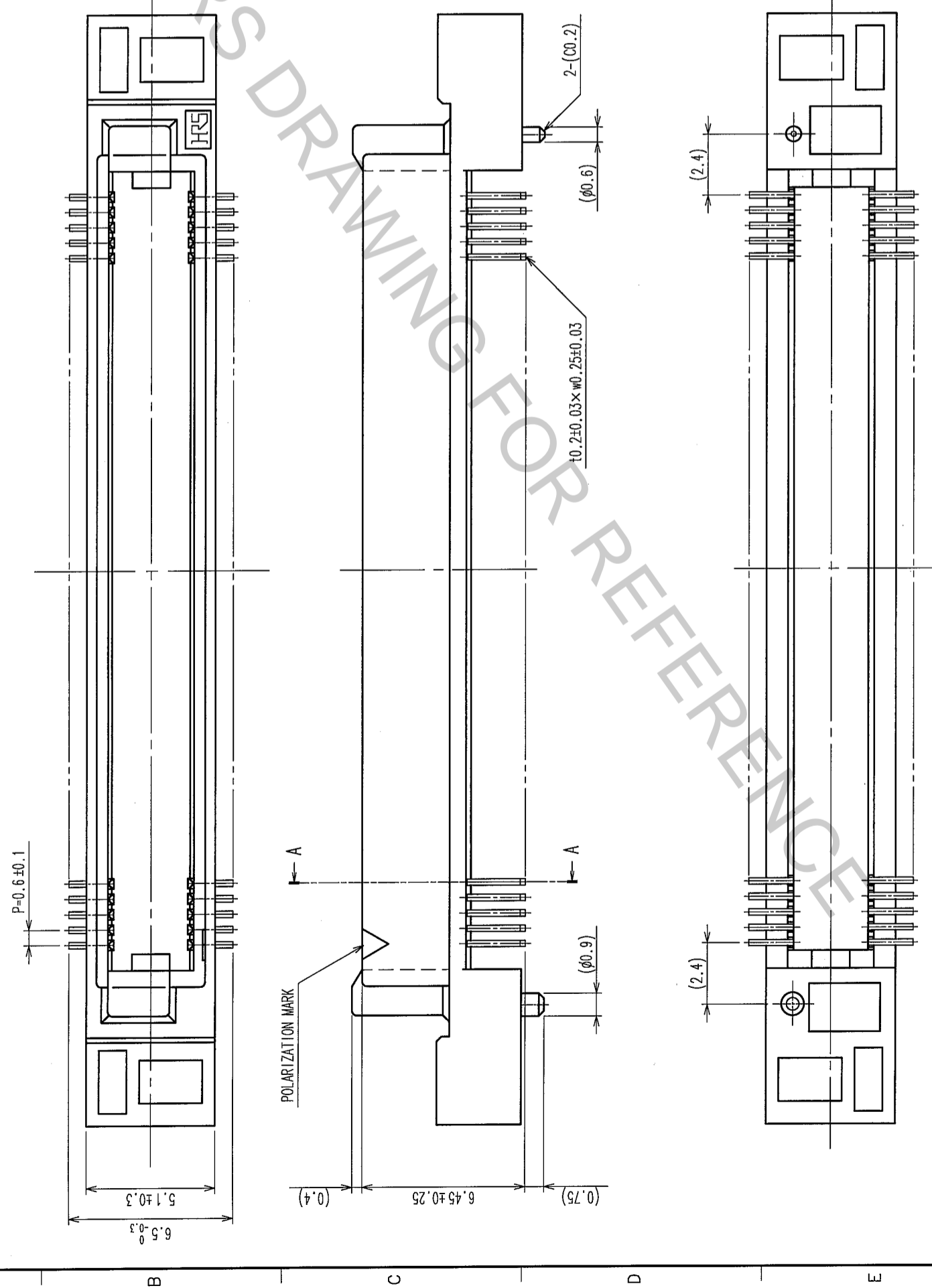
- NOTES
- 1 LEAD CO-PLANARITY SHALL BE 0.1mm MAX.
 - 2 AFTER MOUNTING BOARD, REF.NO.3 SHALL BE REMOVED.
 - 3 FOR MODIFICATION, ETC., PREVENTIVE HOLE FOR SINK MARK MAY BE ADDED DEPENDS ON CIRCUMSTANCES.
 - 4 THE DIMENSIONS IN PARENTHESES ARE FOR REFERENCE.

1, 3	PPS	LIGHT BROWN (UL94V-0)	2	PHOSPHOR BRONZE	CONTACT AREA: GOLD 0.1μm min LEAD AREA: TIN-PLATING 1μm min UNDER PLATING: NICKEL 1μm min
NO.	MATERIAL	FINISH, REMARKS	NO.	MATERIAL	FINISH, REMARKS
CODE NO. (OLD)	CL		DRAWN	DESIGNED	CHECKED
			K. NAKAMURA	K. NAKAMURA	H. Okawa
			05.11.07	05.11.07	05.11.08
DRAWING NO.		PART NO.			
EDC3-150923-25		FX8C-100/100P11-SV2J(71)			
SCALE	2 : 1	CODE NO.		CL578-0695-7-71	
UNITS	mm				

TO	
PCK	

DETAIL AFTER REMOVING JOINT

COUNT		DESCRIPTION OF REVISIONS		BY	CHKD	DATE	COUNT	DESCRIPTION OF REVISIONS		BY	CHKD	DATE
△	△						△					
△	△						△					
△	△						△					



NOTE THE DIMENSIONS IN PARENTHESES ARE FOR REFERENCE.

NO.	MATERIAL	FINISH, REMARKS	NO.	MATERIAL	FINISH, REMARKS
CL					
CL					
CL					

DRAWING NO.	EDC3-150923-25	PART NO.	FX8C-100/100P11-SV2J(71)
SCALE	5 : 1	DRAWN	K. NAKAMURA
UNITS	MM	DESIGNED	K. NAKAMURA
		CHECKED	K. Ogawa H. Okawa
		APPROVED	
		RELEASED	

TO	
PCK	