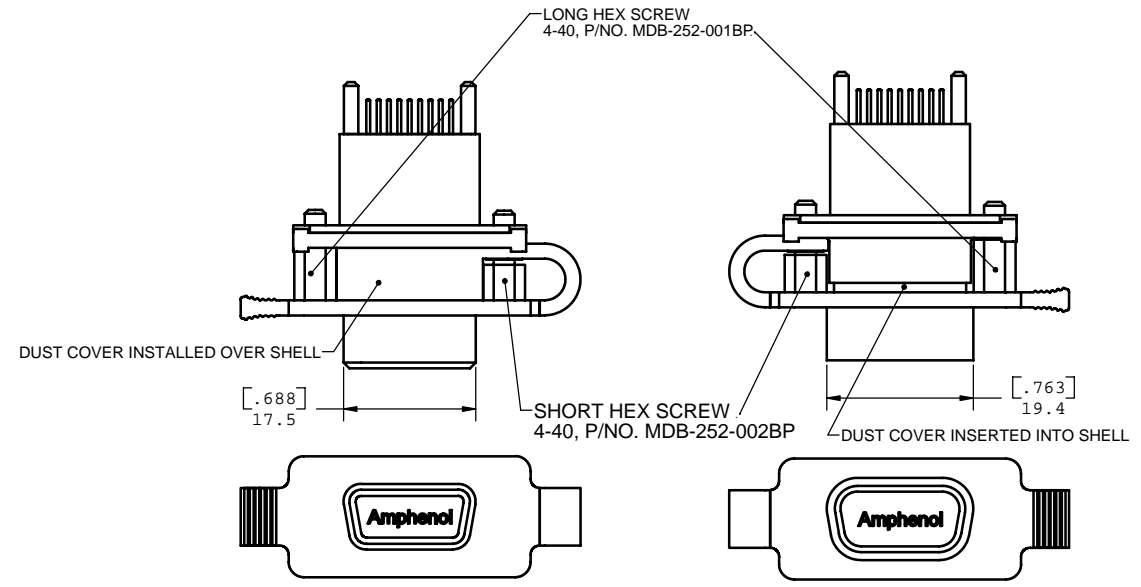


DUST COVER



INSTALLATION ON MDB 9 SOCKET CONNECTOR INSTALLATION ON MDB 9 PIN CONNECTOR

NOTES:

1. MATERIAL:
 - DUST COVER - SILICONE RUBBER, COLOR - GREY.
 - BUSHING - BRASS, NICKEL PLATED.
 - SCREWS - STAINLESS STEEL.
2. OPERATING TEMPERATURE: -40°C TO +105°C.
3. PART NUMBER FOR ORDER:
 - DUST COVER: MDB-227-093-205BP.(BUSHING INCLUDED)
 - LONG HEX SCREW: MDB-252-001BP
 - SHORT HEX SCREW: MDB-252-002BP
4. PART IS RoHS COMPLIANT PER EU DIRECTIVE 2002/95/EC AND AMENDMENTS.
5. PART IS UL94V-0 FLAMMABILITY COMPLIANT.



UNLESS OTHERWISE SPECIFIED DIMENSIONS ARE IN MILLIMETER TOLERANCES ARE:		APPROVALS	DATE	Amphenol Canada Corp.	
DECIMALS ANGLES		DRAWN	NOV14/06		
.XX ±.10		S.SEMENOV		TITLE DUST COVER FOR MDB CONNECTORS	
.X ±.25		DESIGNED	NOV14/06		
MATERIAL AND FINISH		S.SEMENOV		SIZE C	
REF.		CHECKED		DWG. NO. P-MDB-227-093-205BF	
CODE IDENT. NO.		QA APP'D		REV. D	
		IE APP'D		SCALE 5:1	
		DWG APP'D	NOV14/06	PROJECT MDB	
		A.GREEN		SHEET 1 OF 1	